

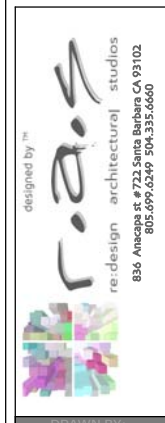
APPROVED

DATE:
5/30/2016
BY:

NO.	DESCRIPTION	BY	DATE
01.			
02.			
03.			
04.			
05.			

SHEET TITLE:

SHEET DESCRIPTION:
CLIENT:
JOB ADDRESS:
JOB CITY:
CLIENT CONTACT:



Prepared by
Aaron Robinson

DATE:

5/30/2016

SCALE:

SHEET:

A-1

BASIC SYMBOLS

APPROVED

DATE: 5/30/2016
BY:

NO.	DESCRIPTION	BY	DATE
01.			
02.			
03.			
04.			
05.			

SHEET TITLE:
GRAPH

SHEET DESCRIPTION:
CLIENT:
JOB ADDRESS:
JOB CITY:
CLIENT CONTACT:

DATE: 5/30/2016
SCALE: 1/4" = 1'
SHEET: A-2

BASIC SYMBOLS

APPROVED

DATE: 5/30/2016
BY:

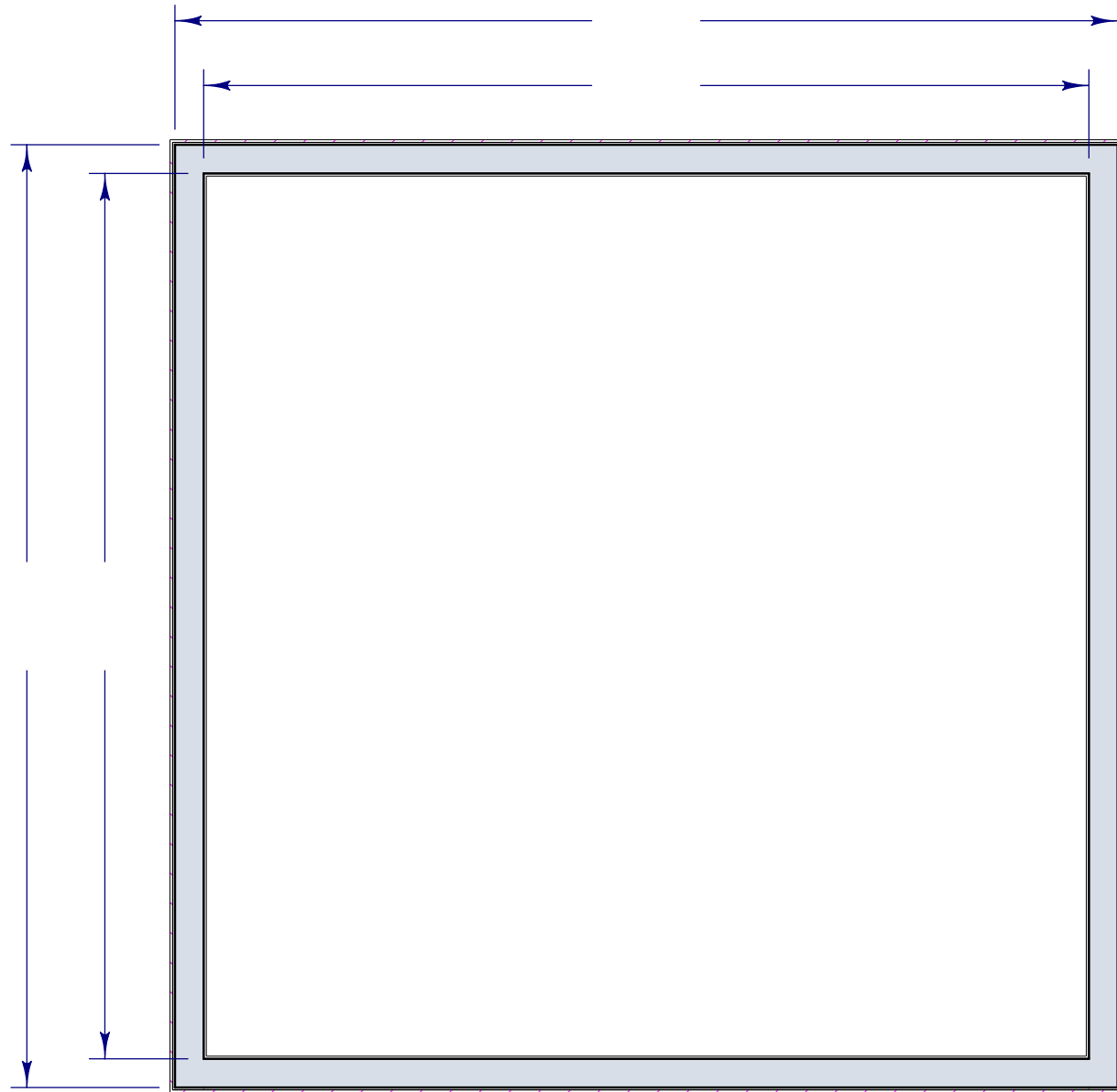
NO.	DESCRIPTION	BY	DATE
01.			
02.			
03.			
04.			
05.			

SHEET TITLE:
GRAPH

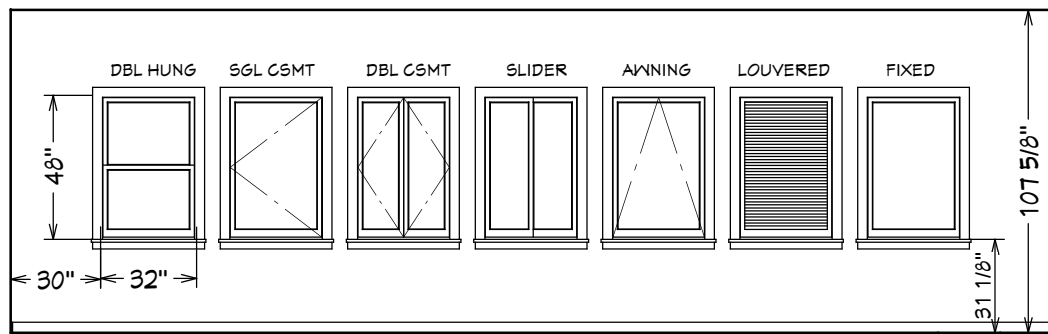
SHEET DESCRIPTION:
CLIENT:
JOB ADDRESS:
JOB CITY:
CLIENT CONTACT:

DATE: 5/30/2016
SCALE: 1/4" = 1'
SHEET: A-3

ROOMS



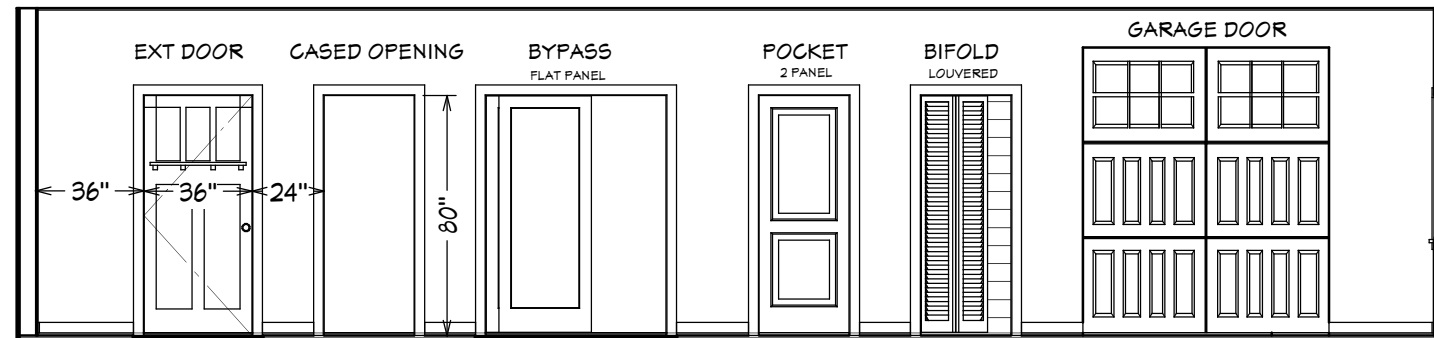
ROOM NAME



WINDOWS

DOORS	SIZE (w x h x d)	TYPE	QTY	SWING	NOTES
1.					
2.					
3.					
WINDOWS					
1.					
2.					
3.					
FLOORING					
CEILING HT.					

- MARK WALLS EXTERIOR (EXT) OR INTERIOR (INT)
 - SHOW APPROX PLACEMENT OF FIXTURES OR FURNITURE



DOORS

APPROVED

DATE: 5/30/2016
 BY:

NO.	DESCRIPTION	BY	DATE
01			
02			
03			
04			
05			

SHEET TITLE:
ROOMS
 PG 1

SHEET DESCRIPTION:
 CLIENT: NAPA B&B
 JOB ADDRESS:
 JOB CITY:
 CLIENT CONTACT:



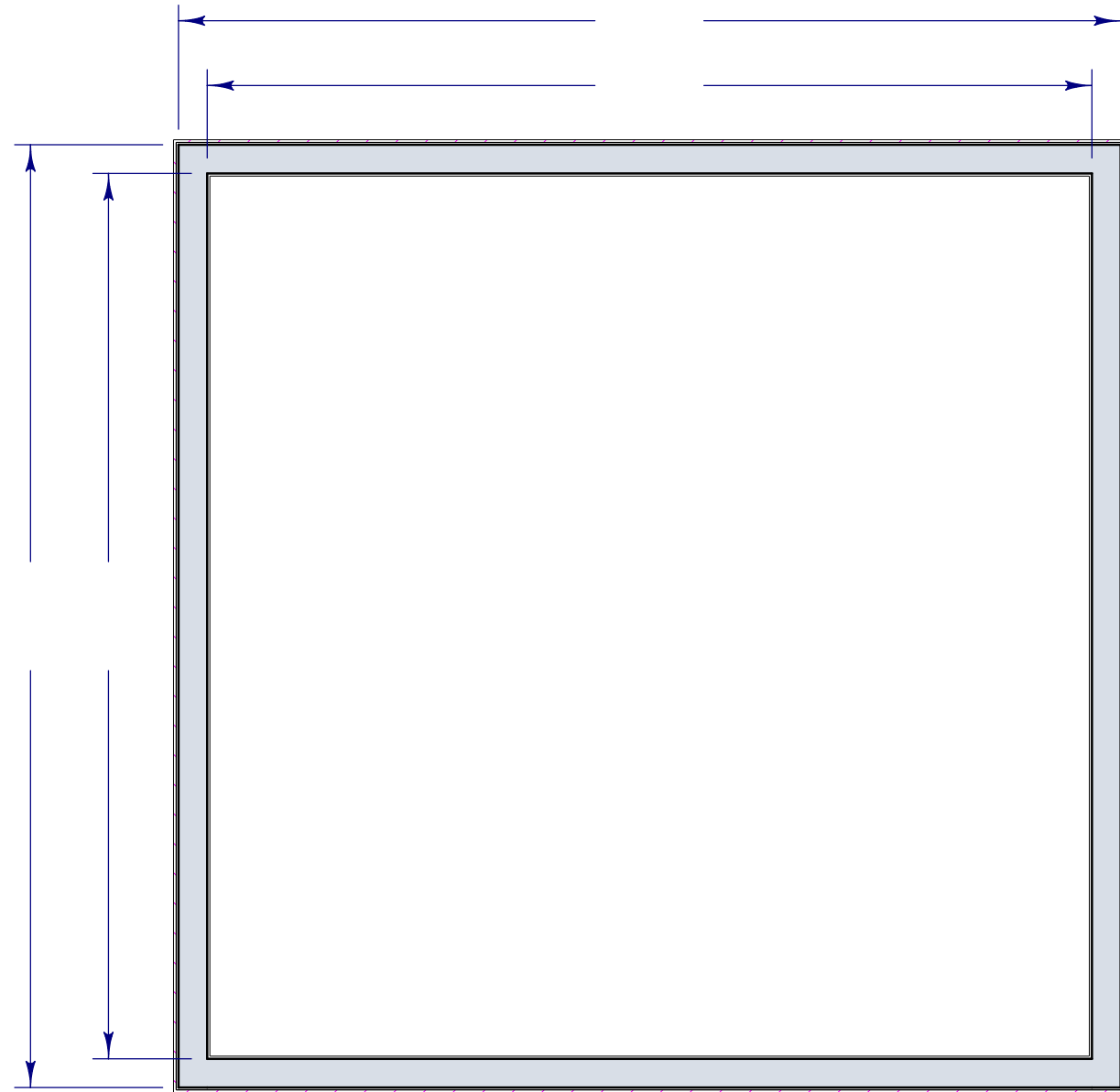
DESIGNED BY:
 Aaron Robinson

DATE:
 5/30/2016

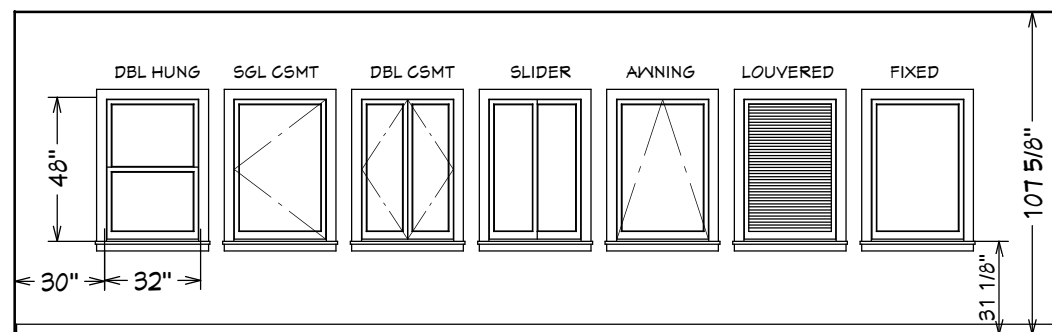
SCALE:
 3/16" = 1'

SHEET:
A-4

ROOMS



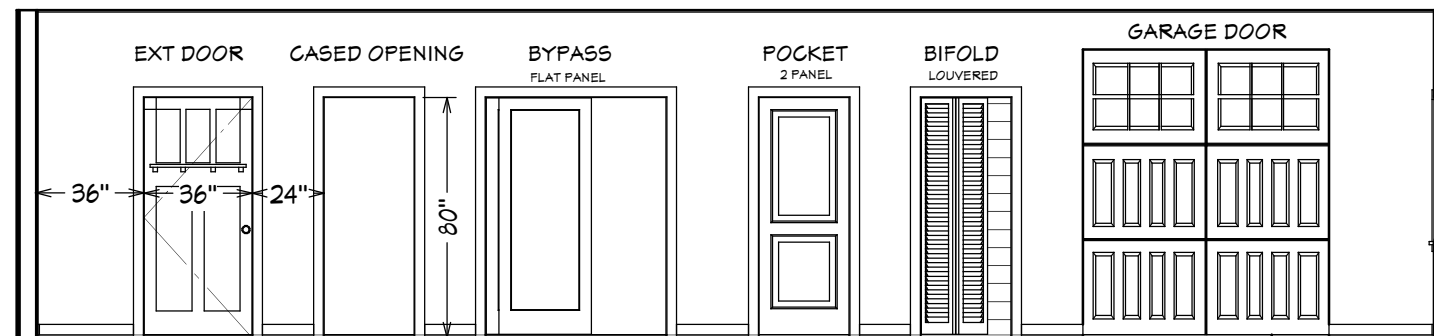
ROOM NAME



WINDOWS

DOORS	SIZE (w x h x d)	TYPE	QTY	SWING	NOTES
1.					
2.					
3.					
WINDOWS					
1.					
2.					
3.					
FLOORING					
CEILING HT.					

- MARK WALLS EXTERIOR (EXT) OR INTERIOR (INT)
- SHOW APPROX PLACEMENT OF FIXTURES OR FURNITURE



DOORS

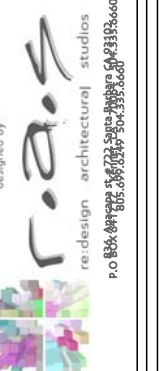
APPROVED

DATE: 5/30/2016
BY:

NO.	DESCRIPTION	BY	DATE
01			
02			
03			
04			
05			

SHEET TITLE:
ROOMS
PG 2

SHEET DESCRIPTION:
CLIENT: NAPA B&B
JOB ADDRESS:
JOB CITY:
CLIENT CONTACT:



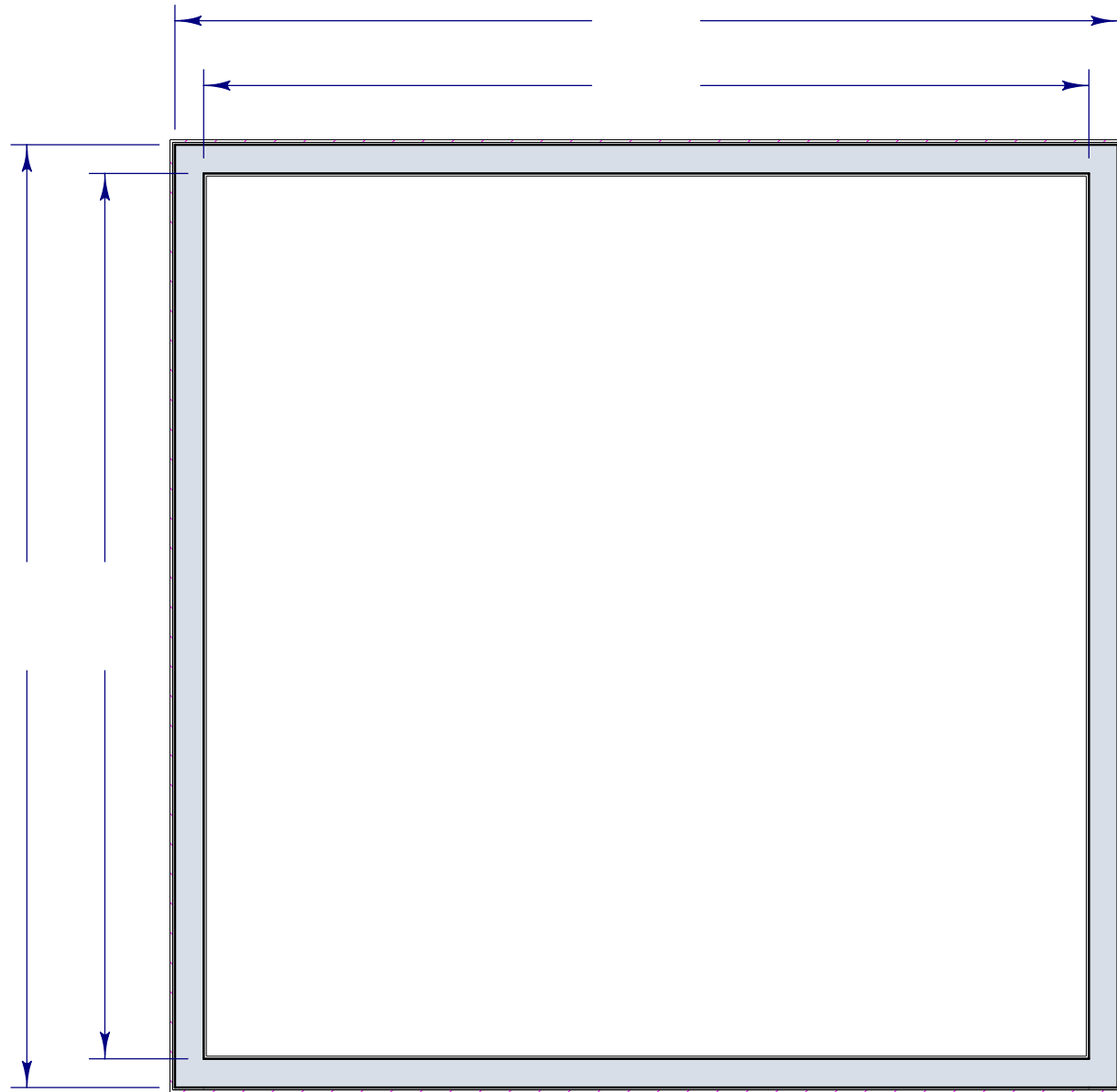
designed by
re-design architectural studios
P.O. Box 400000
805.205.5239 505.335.2000

DATE:
5/30/2016

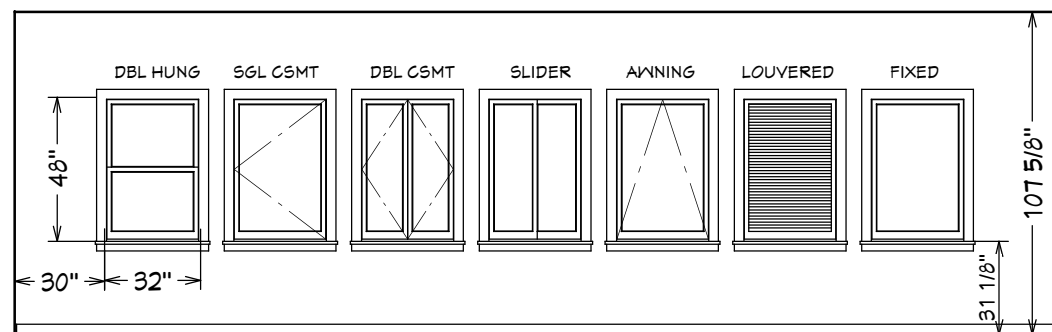
SCALE:
3/16" = 1'

SHEET:
A-5

ROOMS



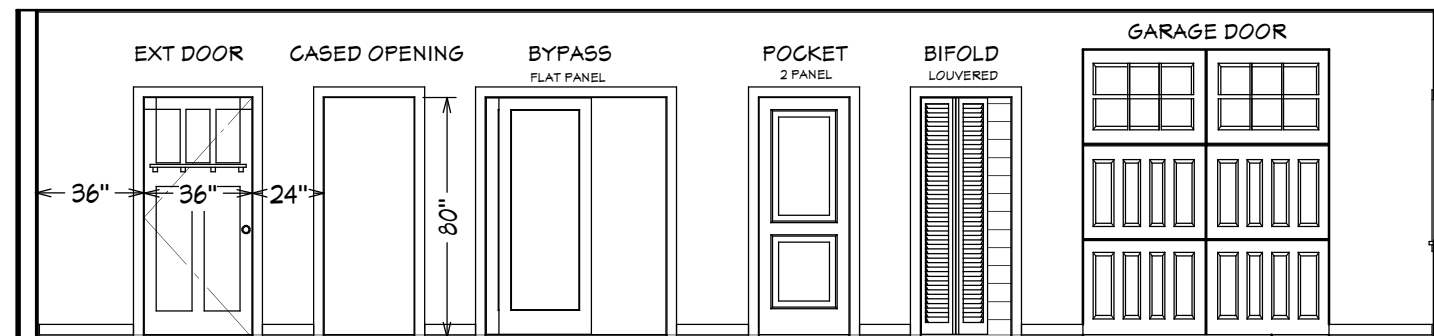
ROOM NAME



WINDOWS

DOORS	SIZE (w x h x d)	TYPE	QTY	SWING	NOTES
1.					
2.					
3.					
WINDOWS					
1.					
2.					
3.					
FLOORING					
CEILING HT.					

- MARK WALLS EXTERIOR (EXT) OR INTERIOR (INT)
- SHOW APPROX PLACEMENT OF FIXTURES OR FURNITURE



DOORS

APPROVED

DATE: 5/30/2016
BY:

NO.	DESCRIPTION	BY	DATE
01			
02			
03			
04			
05			

SHEET TITLE:
ROOMS
PG 3

SHEET DESCRIPTION:
CLIENT: NAPA B&B
JOB ADDRESS:
JOB CITY:
CLIENT CONTACT:



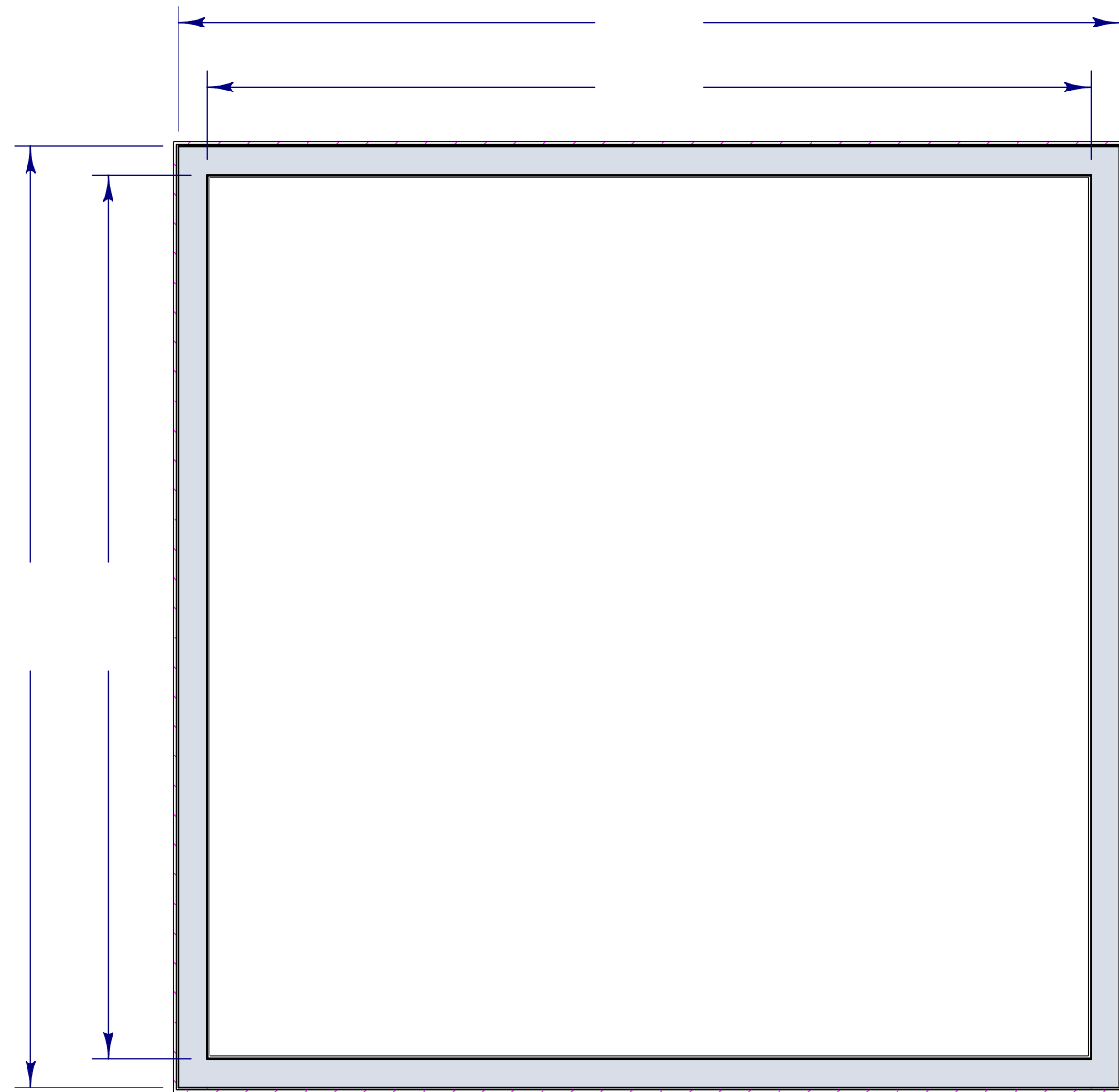
DESIGNED BY:
Aaron Robinson

DATE:
5/30/2016

SCALE:
3/16" = 1'

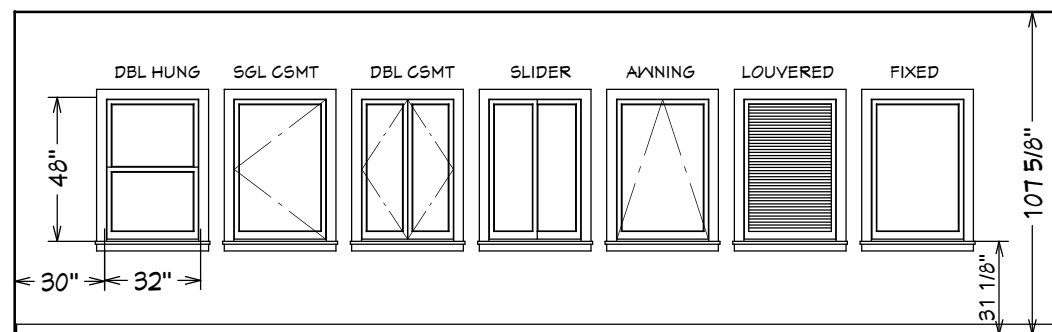
SHEET:
A-6

ROOMS



ROOM NAME

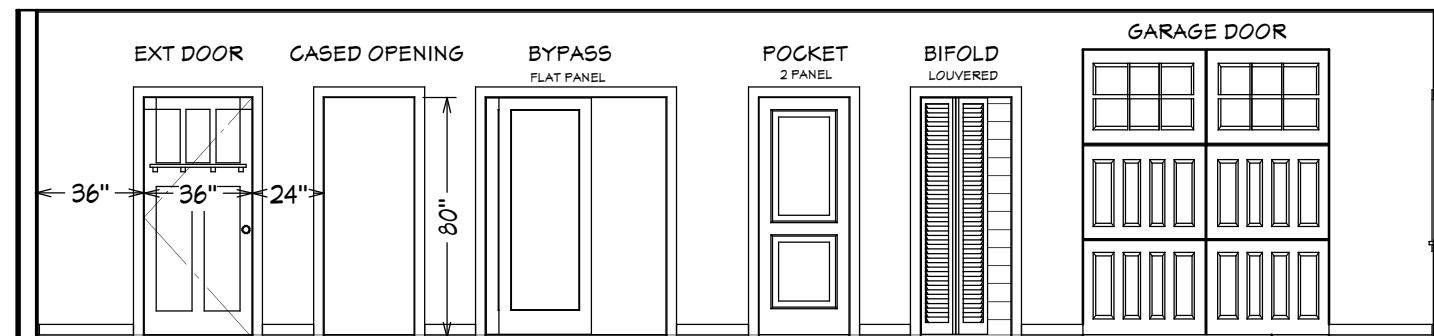
ROOM NAME



WINDOWS

DOORS	SIZE (w x h x d)	TYPE	QTY	SWING	NOTES
1.					
2.					
3.					
WINDOWS					
1.					
2.					
3.					
FLOORING					
CEILING HT.					

- MARK WALLS EXTERIOR (EXT) OR INTERIOR (INT)
- SHOW APPROX PLACEMENT OF FIXTURES OR FURNITURE



DOORS

APPROVED

DATE: 5/30/2016
BY:

NO.	DESCRIPTION	BY	DATE
01.			
02.			
03.			
04.			
05.			

SHEET TITLE:
ROOMS
PG 4

SHEET DESCRIPTION:
CLIENT: NAPA B&B
JOB ADDRESS:
JOB CITY:
CLIENT CONTACT:



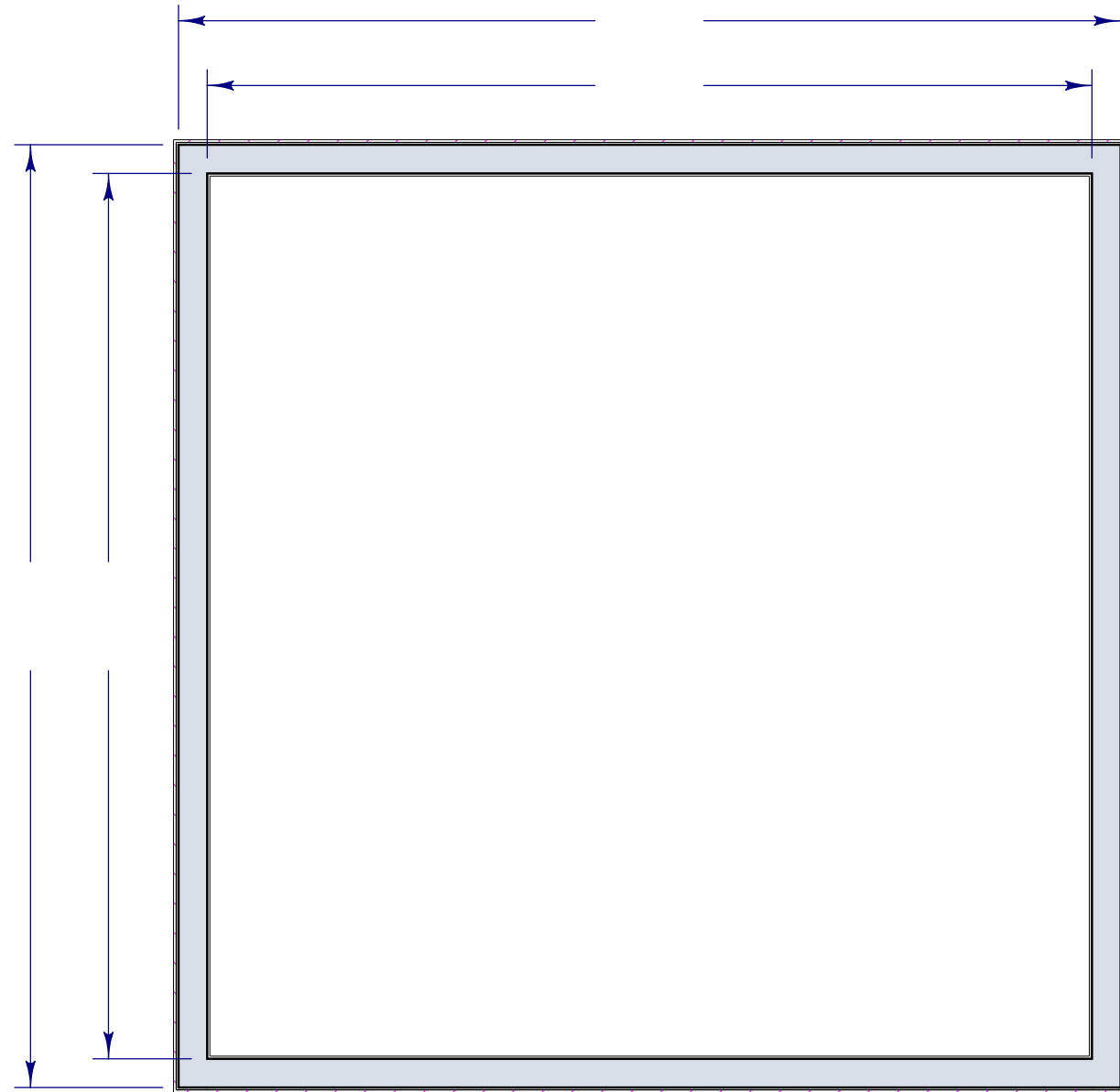
DESIGNED BY:
Aaron Robinson

DATE:
5/30/2016

SCALE:
3/16" = 1'

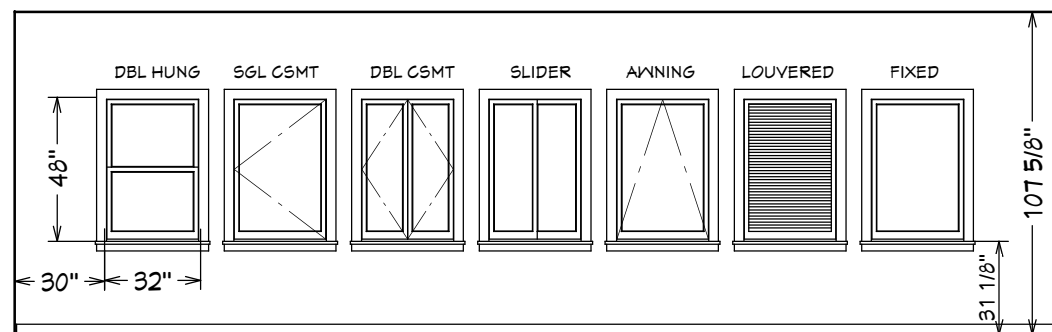
SHEET:
A-7

ROOMS



ROOM NAME

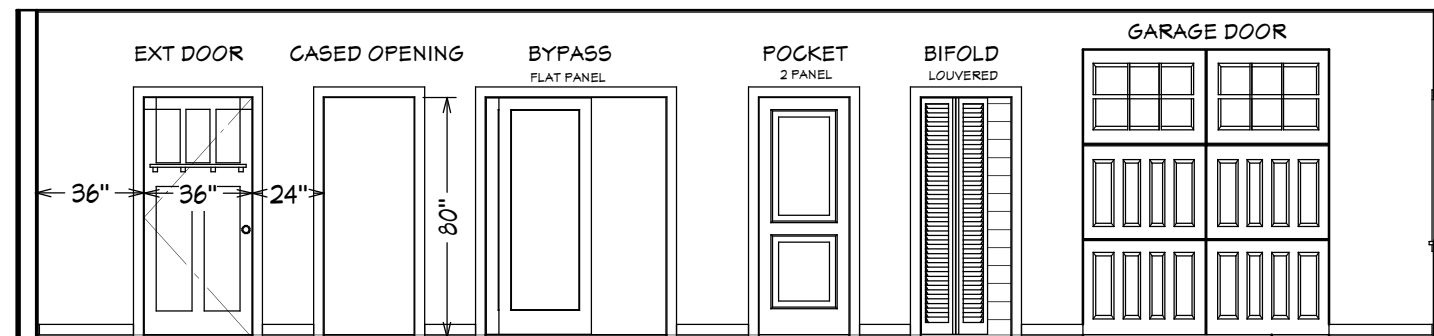
ROOM NAME



WINDOWS

DOORS	SIZE (w x h x d)	TYPE	QTY	SWING	NOTES
1.					
2.					
3.					
WINDOWS					
1.					
2.					
3.					
FLOORING					
CEILING HT.					

- MARK WALLS EXTERIOR (EXT) OR INTERIOR (INT)
 - SHOW APPROX PLACEMENT OF FIXTURES OR FURNITURE



DOORS

APPROVED

DATE: 5/30/2016
 BY:

NO.	DESCRIPTION	BY	DATE
01.			
02.			
03.			
04.			
05.			

SHEET TITLE:
ROOMS
 PG 5

SHEET DESCRIPTION:
 CLIENT: NAPA B&B
 JOB ADDRESS:
 JOB CITY:
 CLIENT CONTACT:



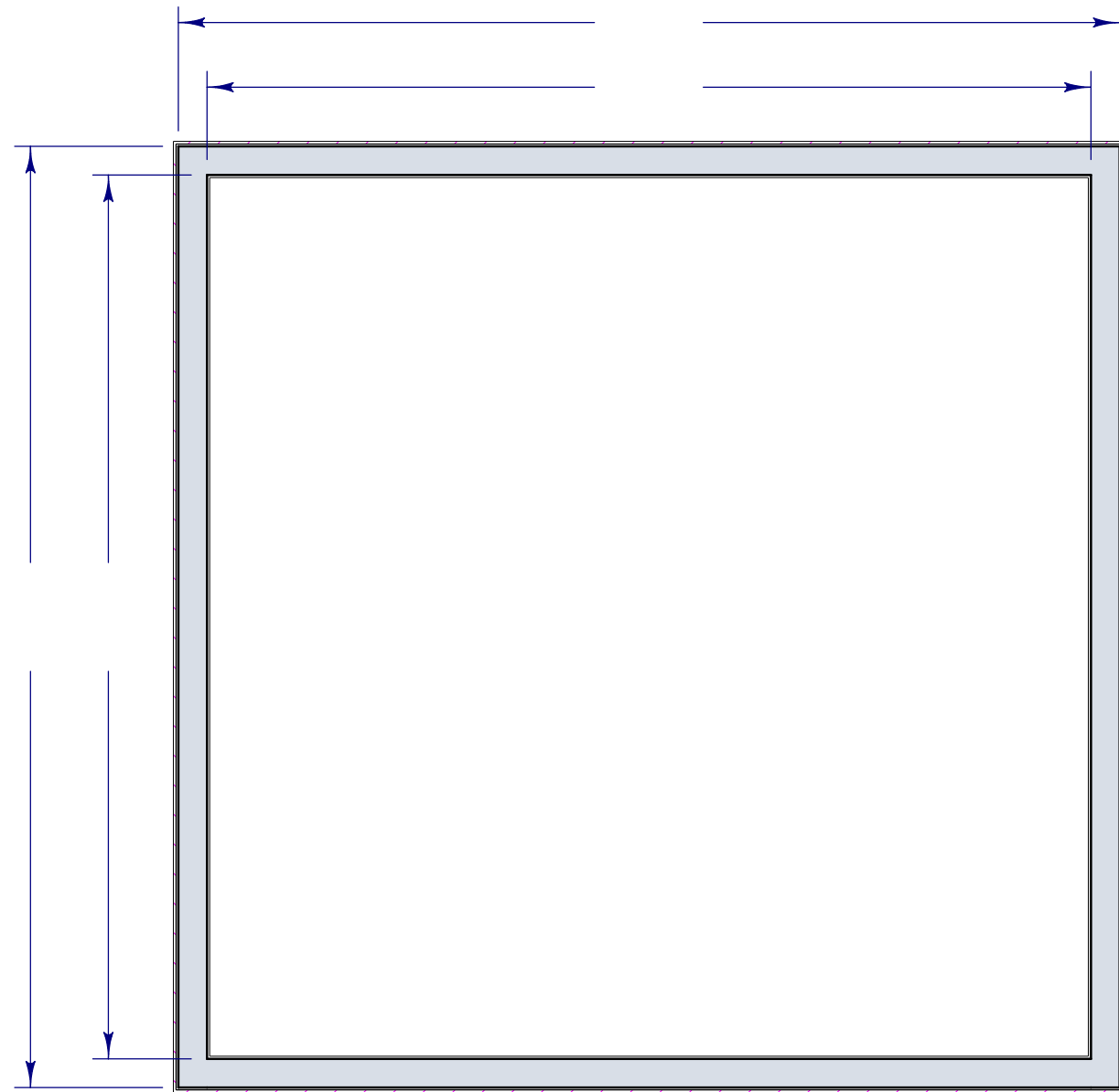
DESIGNED BY:
 Aaron Robinson

DATE:
 5/30/2016

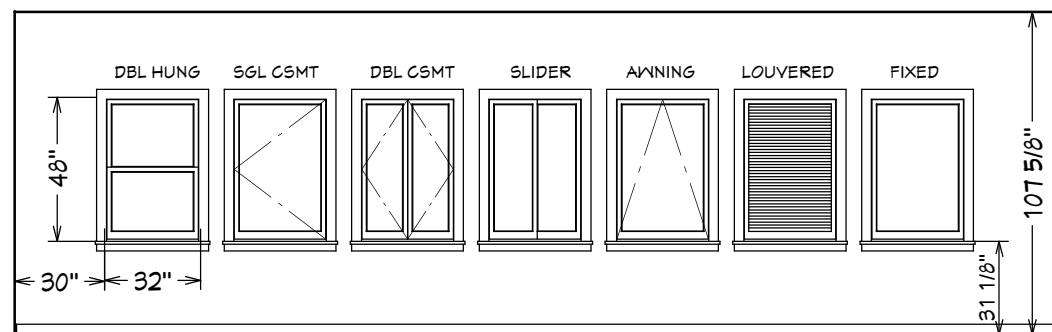
SCALE:
 3/16" = 1'

SHEET:
 A-8

ROOMS



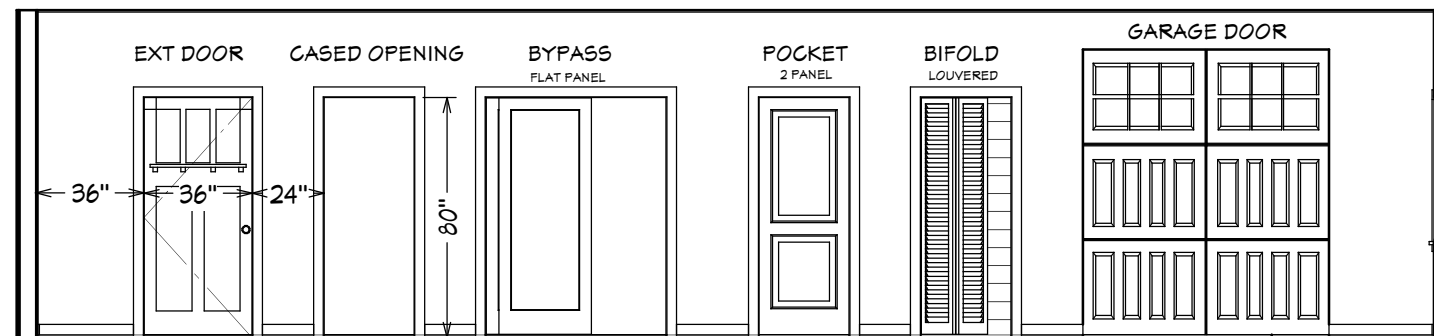
ROOM NAME



WINDOWS

DOORS	SIZE (w x h x d)	TYPE	QTY	SWING	NOTES
1.					
2.					
3.					
WINDOWS					
1.					
2.					
3.					
FLOORING					
CEILING HT.					

- MARK WALLS EXTERIOR (EXT) OR INTERIOR (INT)
- SHOW APPROX PLACEMENT OF FIXTURES OR FURNITURE



DOORS

APPROVED

DATE: 5/30/2016
BY:

NO.	DESCRIPTION	BY	DATE
01			
02			
03			
04			
05			

SHEET TITLE:
ROOMS
PG 6

SHEET DESCRIPTION:
CLIENT: NAPA B&B
JOB ADDRESS:
JOB CITY:
CLIENT CONTACT:



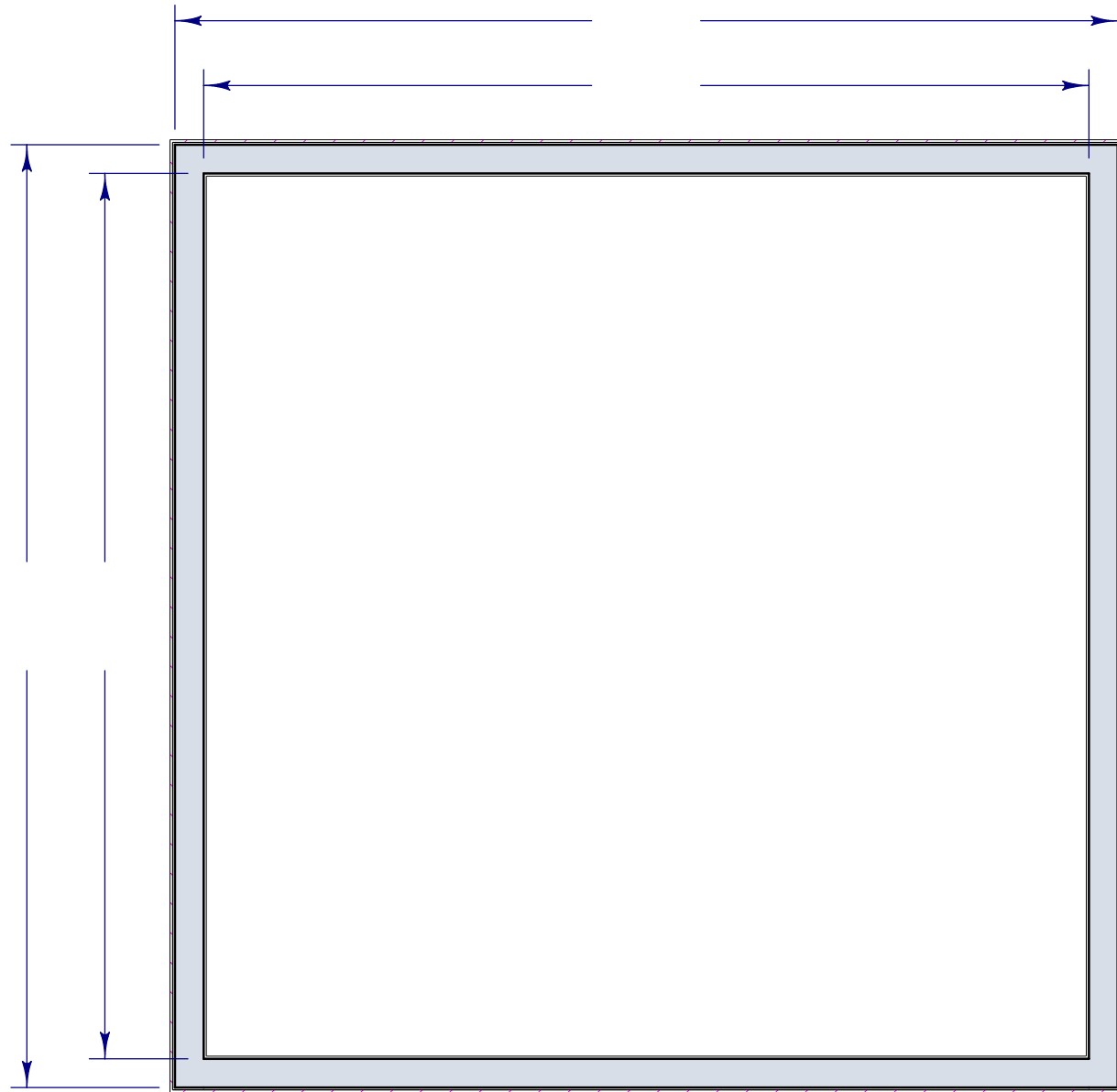
DESIGNED BY:
Aaron Robinson

DATE:
5/30/2016

SCALE:
3/16" = 1'

SHEET:
A-9

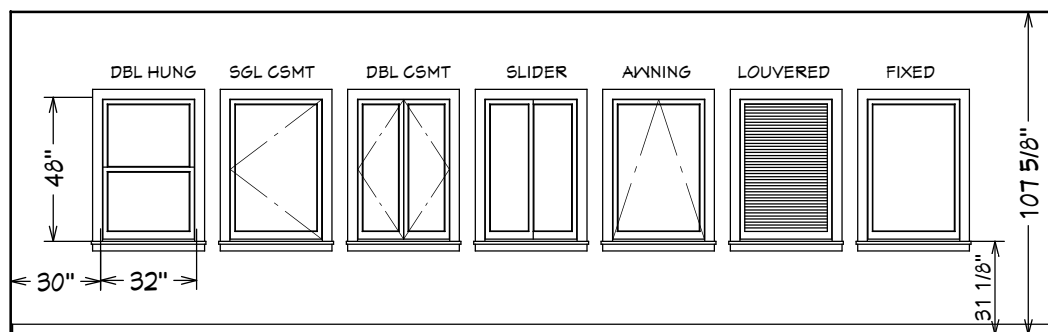
ROOMS



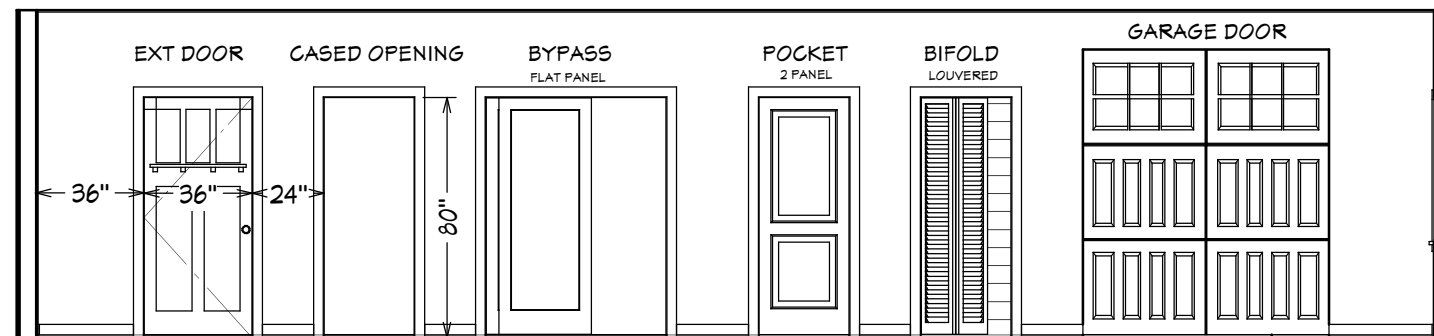
ROOM NAME

DOORS	SIZE (w x h x d)	TYPE	QTY	SWING	NOTES
1.					
2.					
3.					
WINDOWS					
1.					
2.					
3.					
FLOORING					
CEILING HT.					

- MARK WALLS EXTERIOR (EXT) OR INTERIOR (INT)
 - SHOW APPROX PLACEMENT OF FIXTURES OR FURNITURE



WINDOWS



DOORS

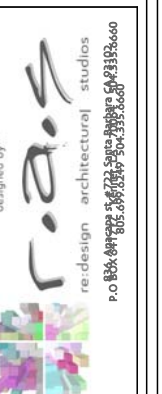
APPROVED

DATE: 5/30/2016
 BY:

NO.	DESCRIPTION	BY	DATE
01			
02			
03			
04			
05			

SHEET TITLE:
ROOMS
 PG 7

SHEET DESCRIPTION:
 CLIENT: NAPA B&B
 JOB ADDRESS:
 JOB CITY:
 CLIENT CONTACT:



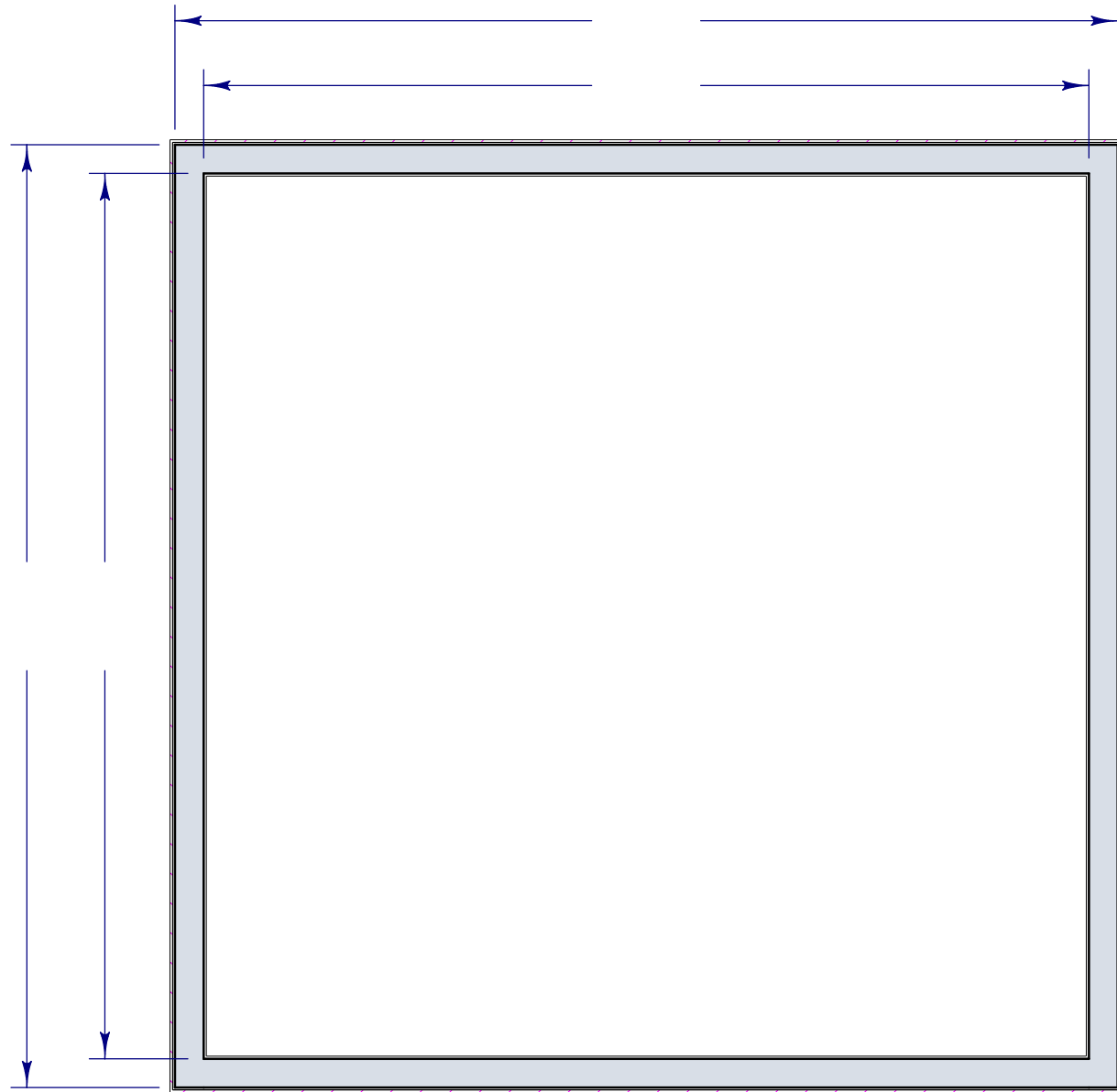
designed by
 Aaron Robinson

DATE:
 5/30/2016

SCALE:
 3/16" = 1'

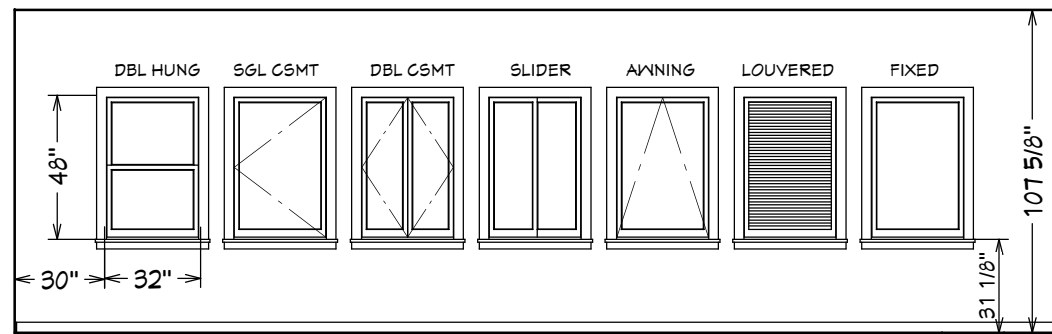
SHEET:
A-10

ROOMS



ROOM NAME

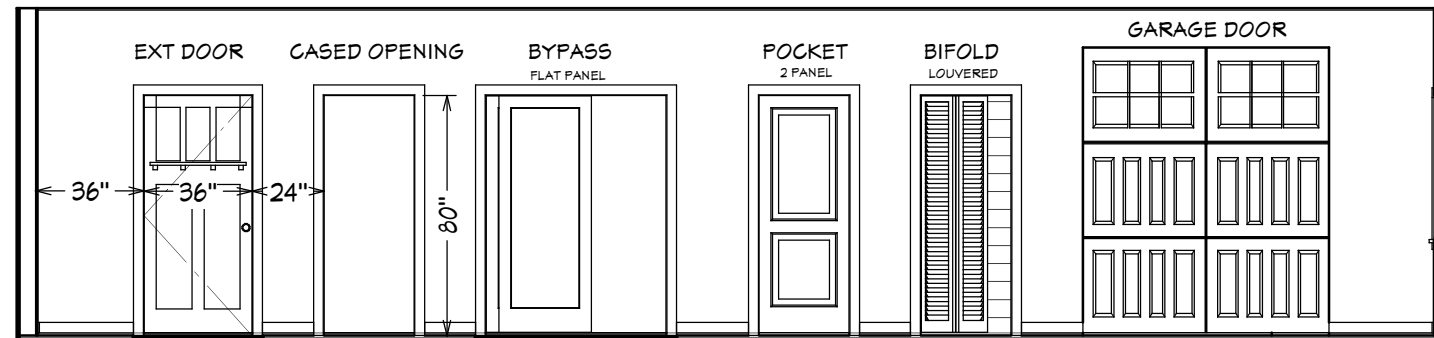
ROOM NAME



WINDOWS

DOORS	SIZE (w x h x d)	TYPE	QTY	SWING	NOTES
1.					
2.					
3.					
WINDOWS					
1.					
2.					
3.					
FLOORING					
CEILING HT.					

- MARK WALLS EXTERIOR (EXT) OR INTERIOR (INT)
- SHOW APPROX PLACEMENT OF FIXTURES OR FURNITURE



DOORS

APPROVED

DATE: 5/30/2016
BY:

NO.	DESCRIPTION	BY	DATE
01.			
02.			
03.			
04.			
05.			

SHEET TITLE:
ROOMS
PG 8

SHEET DESCRIPTION:
CLIENT: NAPA B&B
JOB ADDRESS:
JOB CITY:
CLIENT CONTACT:



DESIGNED BY:
Aaron Robinson

DATE:
5/30/2016

SCALE:
3/16" = 1'

SHEET:
A-11

BASIC SYMBOLS

APPROVED

DATE: 5/30/2016
BY:

NO.	DESCRIPTION	BY	DATE
01.			
02.			
03.			
04.			
05.			

SHEET TITLE:
GRAPH

SHEET DESCRIPTION:
CLIENT:
JOB ADDRESS:
JOB CITY:
CLIENT CONTACT:

DATE: 5/30/2016
SCALE: 1/4" = 1'
SHEET: A-12

BASIC SYMBOLS

APPROVED

DATE: 5/30/2016
BY:

NO.	DESCRIPTION	BY	DATE
01.			
02.			
03.			
04.			
05.			

SHEET TITLE:
GRAPH

SHEET DESCRIPTION:
CLIENT:
JOB ADDRESS:
JOB CITY:
CLIENT CONTACT:

DATE: 5/30/2016
SCALE: 1/4" = 1'
SHEET: A-13

THESE SHEETS ARE MEANT TO AID THE CLIENT IN THEIR DESIGN PROJECT AND ARE USED WITH THE PERMISSION OF RE:DESIGN ARCHITECTURAL STUDIOS AND ARE THE PROPRIETARY WORK PRODUCT AND PROPERTY OF RE:DESIGN, DEVELOPED FOR THE EXCLUSIVE USE OF REDESIGN CLIENTS.

RE:DESIGN ARCHITECTURAL STUDIOS, (R.A.S.) ASSERTS THAT WHILE EVERY EFFORT IS MADE TO ENSURE ACCURACY AND BE ERROR FREE, THESE DESIGN AIDS MAY UNINTENTIONALLY CONTAIN ERRORS, INACCURACIES, OR OMISSIONS THAT MAY RELATE TO YOUR SAID DESIGN AND MAKES NO GUARANTEE, WRITTEN OR EXPRESS OR IMPLIED AS SUCH. R.A.S RESERVES THE RIGHT TO CORRECT ANY ERRORS, INACCURACIES OR OMISSIONS AND TO CHANGE OR UPDATE INFORMATION AT ANY TIME WITHOUT PRIOR NOTICE. R.A.S WILL NOT BE HELD LIABLE FOR ANY INDIRECT, SPECIAL, CONSEQUENTIAL, OR INCIDENTAL DAMAGES INCLUDING, WITHOUT LIMITATION, LOSS OF PROFITS OR REVENUES, COSTS OF REPLACEMENT GOODS, LOSS OR DAMAGE TO DATA ARISING OUT OF THE USE OR INABILITY TO USE SAID DESIGN AIDS RESULTING FROM UNINTENTIONALLY OMITTED INFORMATION CONTAINED HEREIN THESE DRAWINGS. PLEASE REVIEW CAREFULLY. USE OF THESE AIDS AND CONCEPTS CONTAINED THEREIN WITHOUT THE WRITTEN PERMISSION OF RE:DESIGN AND NOTIFICATION OF R.A.S IS PROHIBITED.

BY USING THESE DESIGN AIDS YOU ASSUME ALL RESPONSIBILITY FOR DESIGN UNTIL AT SUCH TIME A CONTRACT IS ENGAGED UPON WITH R.A.S, AT THAT TIME ALL CLIENTS EFFORTS AND DESIGN WILL BE UTILIZED WITHIN THEIR PROJECT AS FITTING AS A CODE WILL ALLOW.

enjoy... Aaron Robinson

© Copyright protected 2016 Re:design Architectural Studios

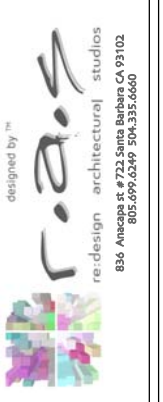
APPROVED

DATE:
5/30/2016
BY:

NO.	DESCRIPTION	BY	DATE
01.			
02.			
03.			
04.			
05.			

SHEET TITLE:
DISCLAIMERS

SHEET DESCRIPTION:
CLIENT:
JOB ADDRESS:
JOB CITY:
CLIENT CONTACT:



designed by
Aaron Robinson

DATE:

5/30/2016

SCALE:

SHEET:

A-16